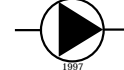


HORIZONTAL MULTISTAGE PUMPS

KALİTE POMPALAR

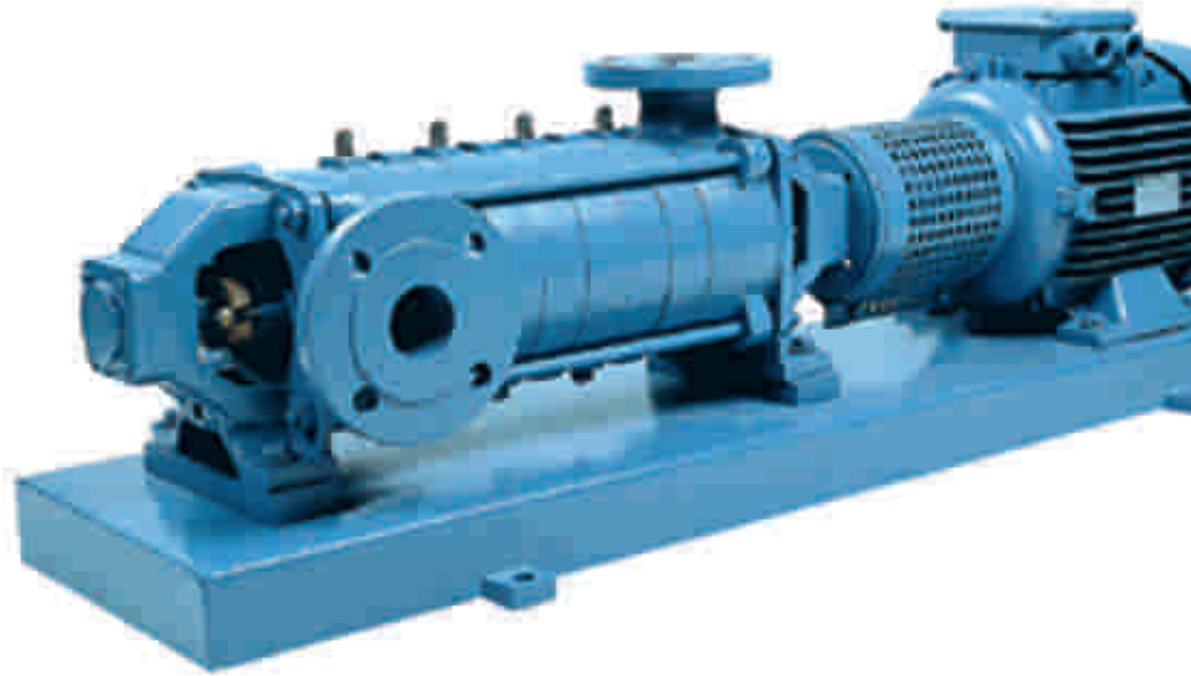
KMU



Member of
Pump Manufacturers'
Association



Member of Europump



KMU - Series (3000 d/d)

For water supply , boosting , circulating of water in HVAC systems and for liquid transfer in industry, etc.

Capacity up to 16 m³/h - Total Head up to 250 m.
Temperature up to 90 °C (140 °C) - Operating Pressure 25 Bar

MAS Pompa Sanayii A.fi.

Merkez/ Head Office: Atafehir Bulvarı, Ata Çarşı
K:4 No:59 34758 Atafehir - İSTANBUL / TURKEY
Tel.: +90 216 456 12 00 Fax: +90 216 456 25 00
e-mail: masgrup@masgrup.com
http : //www.masgrup.com

MAS[®]

GENERAL SPECIFICATIONS

Fields of Application

- Water Supply.
- Booster sets in high rise buildings and industry.
- Water treatment systems
- Washdown systems
- Fire fighting systems
- Boiler feed and condensate transfer.
- Cleaning installation for casks, tanks and cans.
- Sanitary and cleaning installations.
- For industrial applications and public services.
- Fresh water supply on ships

Pumped Liquids

Thin , clean , non-aggressive and non-explosive liquids free from large solid particles or fibres.

Design

The KMU Pump is a horizontal multistage nonselfpriming type centrifugal pump. Impellers are between bearings, single entry, closed type and dynamically balanced. Pump and motor are fitted on a common baseplate connected to each other by a flexible coupling. As standard version discharge port is at motor side on top and suction port is at dead end side on left. Suction and discharge ports are rotatable by 90 °

Shaft

Cromium steel fine grained shafts are used on KMU pumps. There is no diameter differences along the shaft and it is possible and very easy to dismantling the pump beginning from suction or discharge ends

Materials

Component	Materials				
	STANDARD	Piffuser in Bronze	All Bronze	Carbon Steel	Stainless Steel
Suc. & Disc. Casing	GG 25	GG 25	Bronze	GS 45	SS 304 - 316
Stage Casing	GG 25	GG 25	Bronze	GS 45	SS 304 - 316
Impeller	GG 25	Bronze	Bronze	Bronze	Bronze
Diffuser	GG 25	Bronze	Bronze	GS 45	SS 304 - 316
Gland	GGG 40	GGG 40	Bronze	GS 45	SS 304 - 316
Shaft	X20Cr13	X20Cr13	X20Cr13	St 60	SS 304 - 316
Shaft Sleeve	C1040 (Cr Coa)	C1040 (Cr Coa)	Bronze	C 1040 (Cr Kapl.)	C1040(Cr Coa)
Bearing Bracket	GG 25	GG 25	GG 25	GG 25	GG 25
Bearing Cover	GG25	GG 25	GG 25	GG 25	GG 25

Bearings

On both ends, bearing housings equipped with maintenance-free antifriction bearings, which are greased for life with high-temperature resistant grease. Deflectors on the shaft prevents leakage fluid

Shaft Seal

Pumps are supplied as standart, conventional packed glands. Lantern ring on suction side for water sealing and lubricating of packing. Sealing suction of pump shaft are protected by hard cromium plated sleeves.

- Soğutulmamış yumuşak salmastra standarttır. (90 ° C' ye kadar uygundur)
- Uncooled mechanical seal is optional. (Up To 90 °C)
- Water cooled stuffing box or mechanical seal is optional (90 - 140 °C)

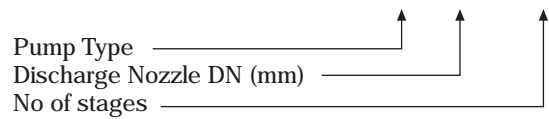
Technical Data

- Suction and Discharge Nozzles:..... DN 25 ...DN 50
- Operating Pressure: 25 Bar
- No of stages:3 - 18 (14)
- Speed: 2900...3600 RPM
- Capacity Range : 1 .. 16 m³ / h
- Head Range : 40 - 250 m .

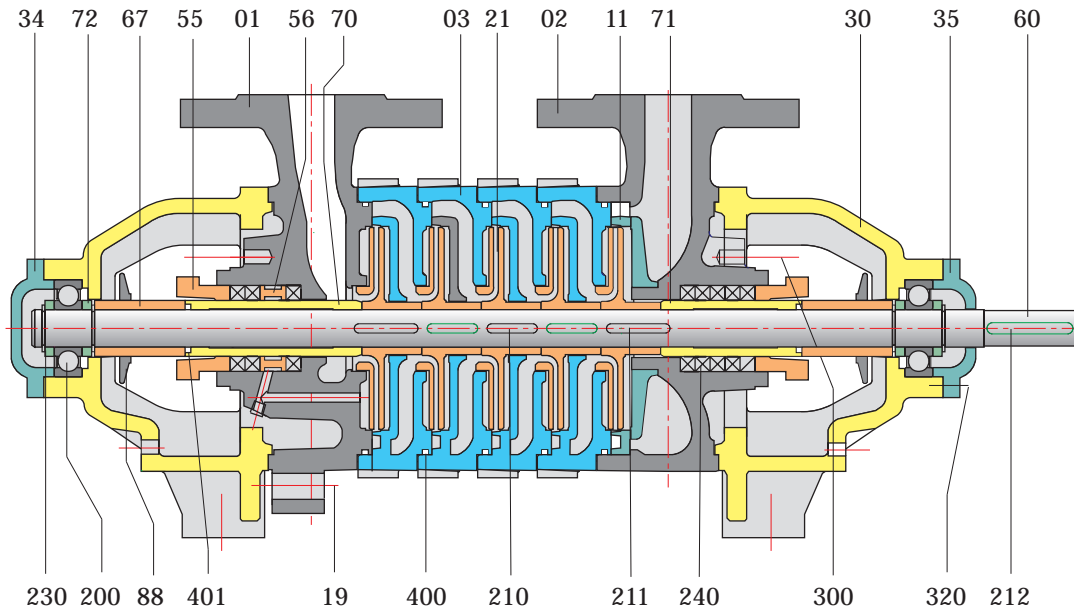
Pump Flanges

According to DIN 2533 - PN 40

Identification Code : **KMU 40 / 12**



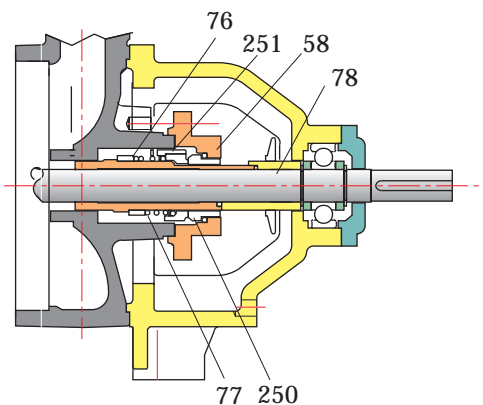
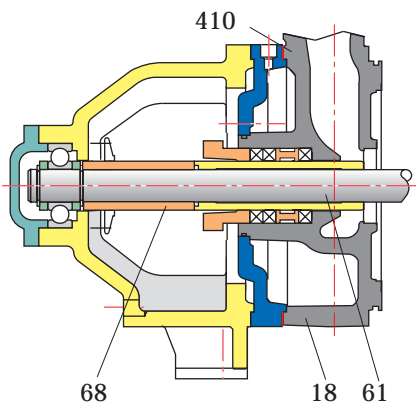
SECTIONAL DRAWING & PARTS LIST



Part List

01 Suction end housing	55 Gland	210 Impeller key
02 Discharge end housing	56 Lantern ring	211 First and last stage keys
03 Stage housing	60 Shaft	212 Coupling key
11 Last stage diffuser	67 Shaft sleeve	230 Retaining ring
19 Tiebolt and nut	70 Shaft Sleeve (Suction end)	240 Soft packing
21 Impeller	71 Shaft sleeve (Disc. End)	300 Gland stud and nut
30 Bearing housing	72 Spacer ring	320 Bolt for bearing cover
34 Bearing cover (Suct. end)	88 Deffector	400 O-Ring (Stage housing)
35 Bearing cover (Coupl. end)	200 Ball bearing	401 O-Ring (Shaft sleeve)

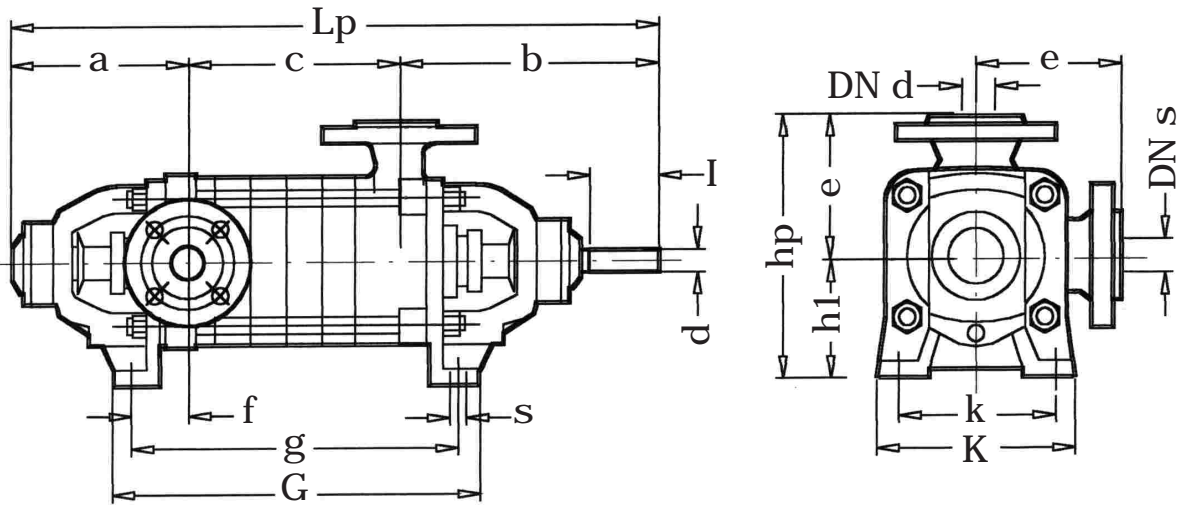
Optional applications



- Cooled Stuffing Box (Cooled mech. seal is also available)
- Upper half of drawing : Balanced Mechanical Seal (part No: 251) (For Discharge side - Over 10 Bar)
- Lower half of drawing : Single spring Mech. Seal. (part No: 250) (For Suction side, and discharge side up to 10 Bar.)

68 Long Spacer Sleeve	76 Shaft sleeve for ballanced Mech. seal
18 Cover for cooled stuffing box	58 Mech seal Cover.
61 Special shaft for cooled stuffing box	78 Spacer sleeve for ballanced mech. Seal.
410 Gasket	77 Shaft Sleeve for single spring Mech. Seal.

DIMENSIONS FOR PUMP



Pump dimensions

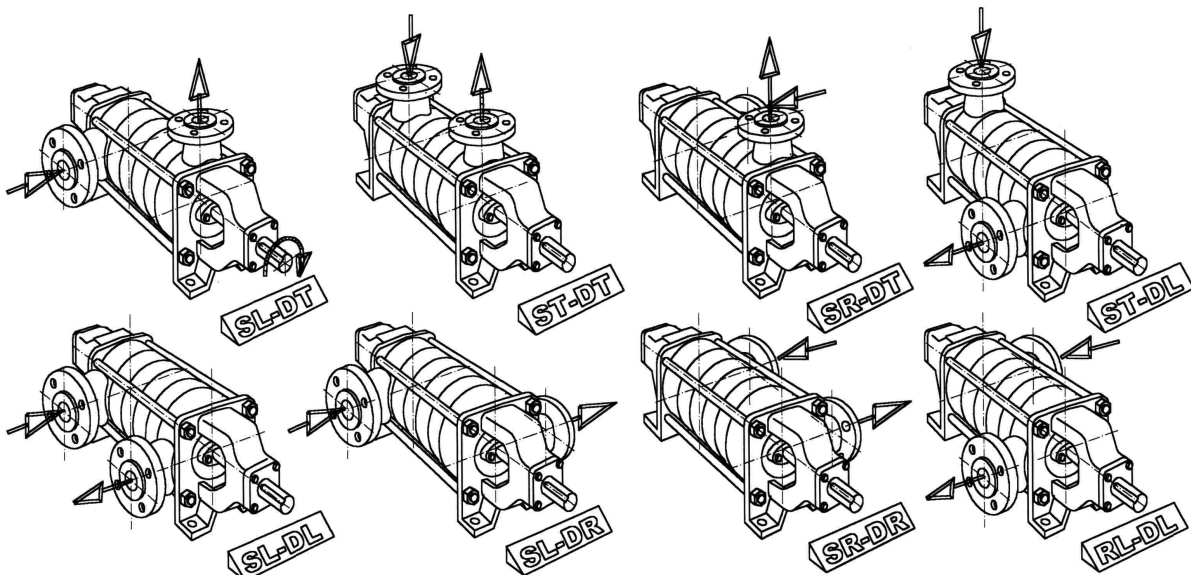
Pump Size	DN s mm Ø	DN D mm Ø	a mm	b mm	Lp mm	g mm	G mm	f mm	h1 mm	h2 mm	e mm	d mmØ	l mmØ	k mm	K mm	s mmØ
KMU 25	DN 25	DN 25	155	210	C + 355	C + 114	C + 142	60	100	225	125	19	50	120	158	14
KMU 32	DN 32	DN 32														
KMU 40	DN 40	DN 40	160	210	C + 360	C + 124	C + 149	62	112	257	145	19	50	145	170	
KMU 50	DN 50	DN 50														

“ C “ according to the number of stages

Pump Size	3	4	5	6	7	8	9	10	11	12	13	14	15	16	17	18
KMU 25																
KMU 32	127	159	191	223	255	287	319	351	383	415	447	479	511	543	575	607
KMU 40																
KMU 50	146	186	226	266	306	346	386	426	466	506	546	586	-	-	-	-

Note: Suction and Discharge flanges are according to DIN 2535 - PN 40

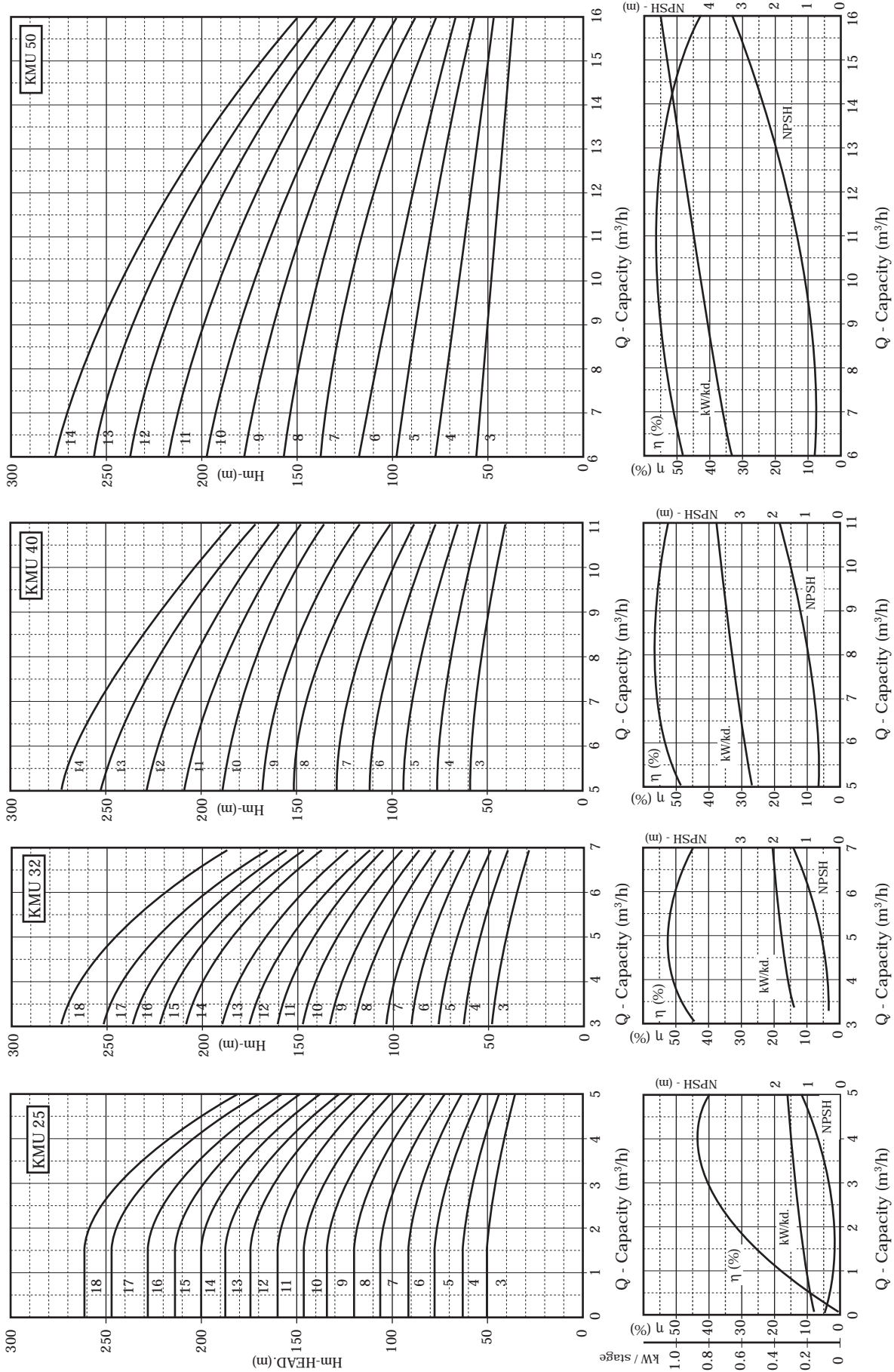
Installation arrangements



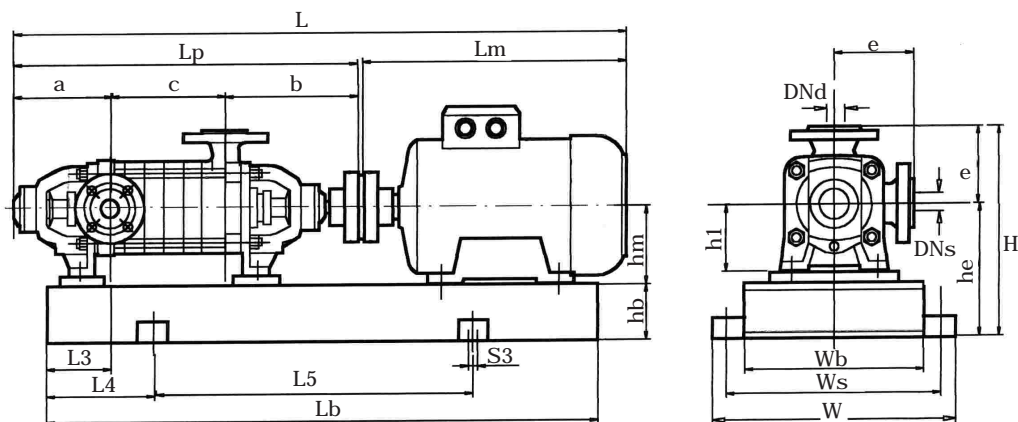
Example :SL-DT = Suction Left - Discharge Top.

TECHNICAL DATA

PERFORMANCE RANGE - 2900 RPM



DIMENSIONS FOR PUMP UNIT



Pump Size	PUMP				OVERALL				MOTOR		BASEPLATE																				
	No. of Stages	MOTOR KW	DN s mm Ø	DN d mm Ø	Lp mm	L mm	W mm	H mm	Lm mm	hm mm	Lb mm	Wb mm	hb mm	he mm	L3 mm	L4 mm	L5 mm	Ws mm	s3 mm												
KMU 25/3	3	1.1	DN 25 PN 40	DN 25 PN 40	492	790	300	290	273	80	630	210	65	80	105	420	260	19	19												
KMU 25/4	4	1.5			524	849			300	710																					
KMU 25/5	5	2.2			556	906			325	90	800																				
KMU 25/6	6	2.2			588	938			360	322	447									132	1250	270	197	190	740	320					
KMU 25/7	7	3			620	1010																									
KMU 25/8	8	3			652	1042																									
KMU 25/9	9	3			684	1074	330	302	384	112	1000	240	65	177	170	660	290	19													
KMU 25/10	10	4			716	1125																									
KMU 25/11	11	4			748	1157																									
KMU 25/12	12	4			780	1189																									
KMU 25/13	13	5.5			812	1284																									
KMU 25/14	14	5.5			844	1316																									
KMU 25/15	15	5.5			876	1348	360	322	447	132	1250	270	197	205	840	320															
KMU 25/16	16	5.5			908	1380																									
KMU 25/17	17	7.5			940	1412																									
KMU 25/18	18	7.5			972	1444																									
KMU 32/3	3	1.5			DN 32 PN 40	DN 32 PN 40											492	817	300	290	300	90	710	210	65	80	115	480	260	19	
KMU 32/4	4	2.2															524	874			325	90	800								
KMU 32/5	5	2.2	556	906			365	100	900																						
KMU 32/6	6	3	588	978			330	302	384	112	1000	240	65	177	150	600	290	19													
KMU 32/7	7	3	620	1010																											
KMU 32/8	8	4	652	1061																											
KMU 32/9	9	4	684	1093			360	322	447	132	1120	270	197	190	740	320															
KMU 32/10	10	4	716	1125																											
KMU 32/11	11	5.5	748	1220																											
KMU 32/12	12	5.5	780	1252																											
KMU 32/13	13	5.5	812	1284																											
KMU 32/14	14	7.5	844	1316																											
KMU 32/15	15	7.5	876	1348			450	365	594	160	1400	340	80	240	230	940	400														
KMU 32/16	16	7.5	908	1380																											
KMU 32/17	17	7.5	940	1412																											
KMU 32/18	18	11	972	1591																											
KMU 40/3	3	2.2	DN 40 PN 40	DN 40 PN 40														516	866	300	322	325	90	710	210	65	85	115	480	260	19
KMU 40/4	4	3																556	946			365	100	800							
KMU 40/5	5	4			596	1005	330	384	112	900																					
KMU 40/6	6	5.5			636	1108	360	342	447	132	900	270	197	150	600	320															
KMU 40/7	7	5.5			676	1148																									
KMU 40/8	8	7.5			716	1188																									
KMU 40/9	9	7.5			756	1228	450	385	594	160	1250	340	80	240	205	840	400	24													
KMU 40/10	10	11			796	1415																									
KMU 40/11	11	11			836	1455																									
KMU 40/12	12	11			876	1495																									
KMU 40/13	13	11			916	1535																									
KMU 40/14	14	11			956	1575																									
KMU 50/3	3	4			DN 50 PN 50	DN 50 PN 50	516	925	330	342	447	132	900	270	65	85	130	540	290	19											
KMU 50/4	4	5.5					556	1028													365	100	800								
KMU 50/5	5	7.5	596	1068			330	384													112	900									
KMU 50/6	6	7.5	636	1108			360	342	447	132	1000	270	65	197	170	660	320														
KMU 50/7	7	11	676	1295																											
KMU 50/8	8	11	716	1335																											
KMU 50/9	9	11	756	1375			450	385	594	160	1120	340	80	240	190	740	400	24													
KMU 50/10	10	11	796	1415																											
KMU 50/11	11	15	836	1455																											
KMU 50/12	12	15	876	1495																											
KMU 50/13	13	15	916	1535																											
KMU 50/14	14	18.5	956	1619																											

(*) a, b, c, h1 and e dimensions are in the sheet "DIMENSIONS FOR PUMP"

